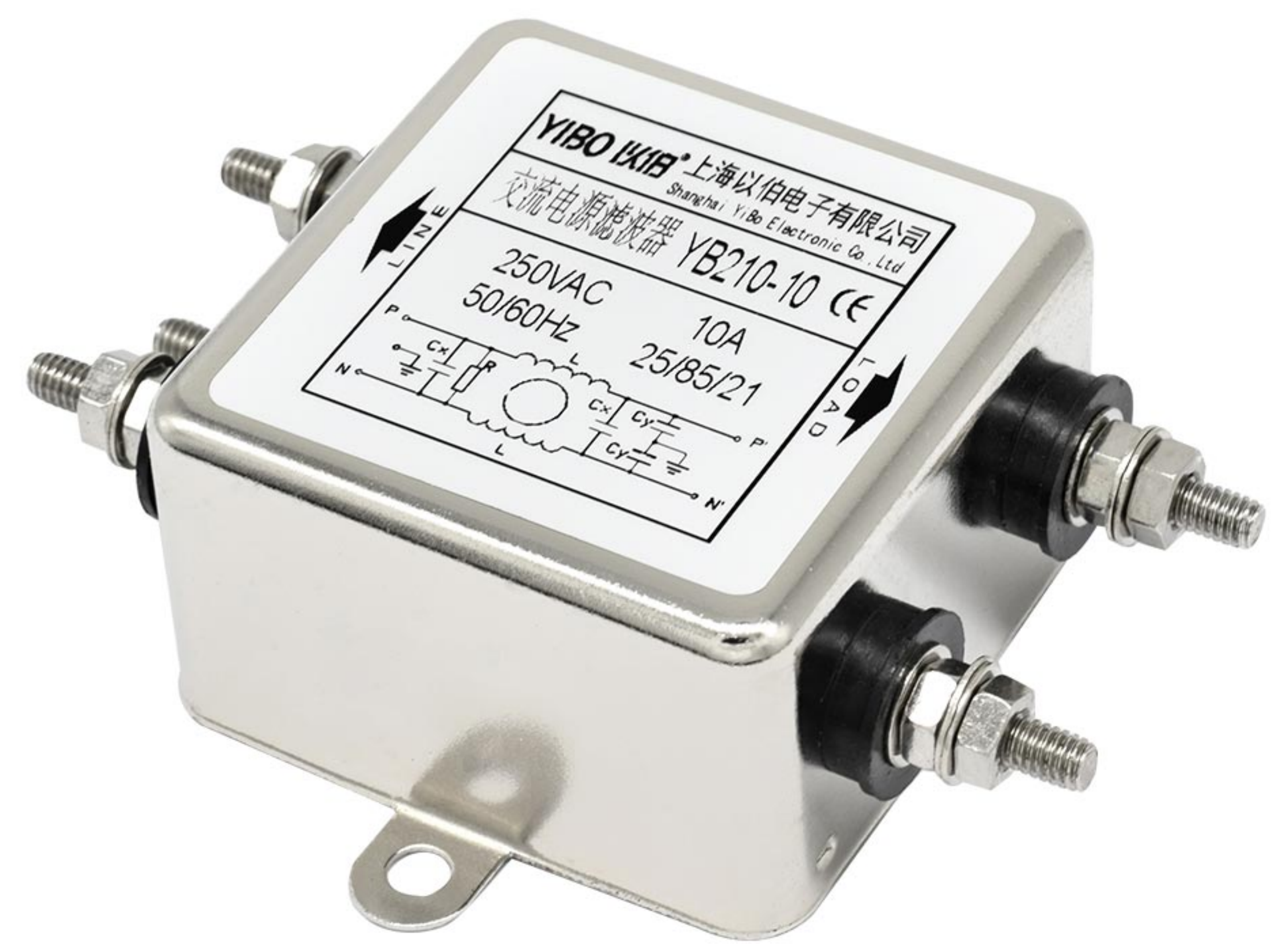


产品及应用 PRODUCTS APPLICATIONS

- ▲ 价格低廉、通用性强
- ▲ 泄露电流低，应用广泛
- ▲ 能有效抑制线对线、线对地之间的电磁干扰
- ▲ 应用于开关电源、UPS等电力电子设备、通用电子设备
商用终端、电子监测、计算机、计算设备、医疗行业
- ▲ low price and strong versatility
- ▲ Low leakage current, widely used
- ▲ Effectively suppresses electromagnetic interference between lines and between line and ground
- ▲ It is used in power electronic equipment such as switch-mode power supplies and UPS, general electronic equipment, commercial terminals, electronic monitoring, computers, computing, and the medical industry

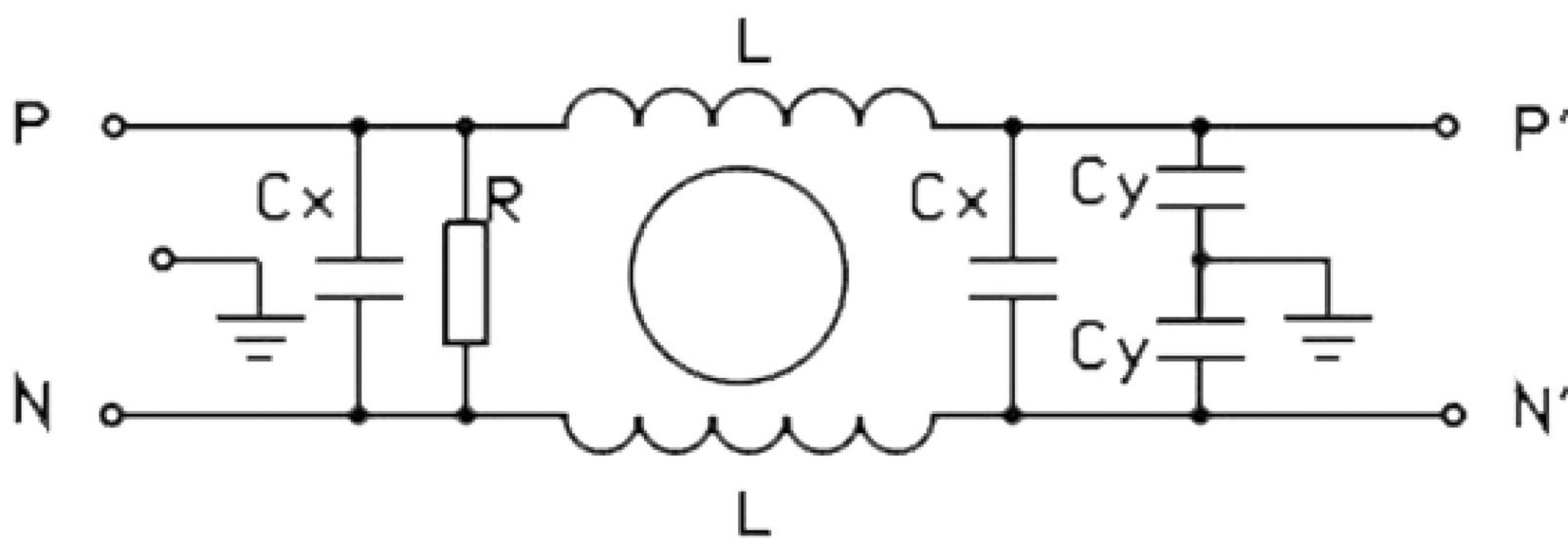


技术参数 SPECIFICATION

| 最高工作电压 Maximum operating voltage (VAC) | 工作频率 Operating frequency Hz | 试验电压 Hipot test voltage P-N(VDC) PN-E(VAC) | | 工作温度 Operating temperature Hz | 绝缘电阻 Minimum insulation resistance |
|---|--------------------------------|--|------|----------------------------------|---------------------------------------|
| 250 | 50/60 | 1760 | 2000 | -25~+85°C | >200M@500VDC |

| 产品型号 FILTER | 端接方式 Connections | | | 额定电流 Current rating @40°C | 外型尺寸 Housing | 泄漏电流 Leakage current | 电路参数 Components | | | |
|----------------|---------------------|-------------|--------------|---------------------------------|-----------------|-------------------------|--------------------|--------|--------|-------|
| | 引线 Wire | 螺栓 Bolts | 焊片 Solder | | | | L (mH) | Cx(uF) | Cy(nF) | R(MΩ) |
| YB210-1 | W | --- | --- | 1A | D1 | ≤ 0.3mA | 5.5 | 0.1 | 2.2 | --- |
| YB210-3 | W | --- | --- | 3A | D1 | ≤ 0.3mA | 2.5 | 0.1 | 2.2 | --- |
| YB210-6 | W | --- | --- | 6A | D1 | ≤ 0.3mA | 0.8 | 0.1 | 2.2 | --- |
| YB210-10 | --- | M4 | L | 10A | D1/B1/B2 | ≤ 0.3mA | 1.0 | 0.22 | 2.2 | 1.0 |
| YB210-20 | --- | M4 | L | 20A | B1/B2 | ≤ 0.3mA | 0.4 | 0.22 | 2.2 | 1.0 |
| YB210-30 | --- | M6 | --- | 30A | H2 | ≤ 0.5mA | 0.3 | 0.22 | 4.7 | 0.47 |
| YB210-40 | --- | M6 | --- | 40A | H5 | ≤ 0.5mA | 0.3 | 0.22 | 4.7 | 0.47 |
| YB210-50 | --- | M6 | --- | 50A | E2 | ≤ 0.5mA | 0.25 | 0.47 | 4.7 | 0.22 |
| YB210-75 | --- | M8 | --- | 75A | G2 | ≤ 1.0mA | 0.2 | 1.0 | 10 | 0.22 |
| YB210-100 | --- | M8 | --- | 100A | G2 | ≤ 1.0mA | 0.18 | 2.2 | 10 | 0.22 |
| YB210-150 | --- | M10 | --- | 150A | N10 | ≤ 2.0mA | 0.15 | 4.4 | 40 | 0.22 |
| YB210-200 | --- | M10 | --- | 200A | N10 | ≤ 2.0mA | 0.1 | 8.8 | 100 | 0.22 |

电路原理图 CIRCUIT DIAGRAM



外型尺寸 HOUSING AND DIMENSIONS: (MM)

