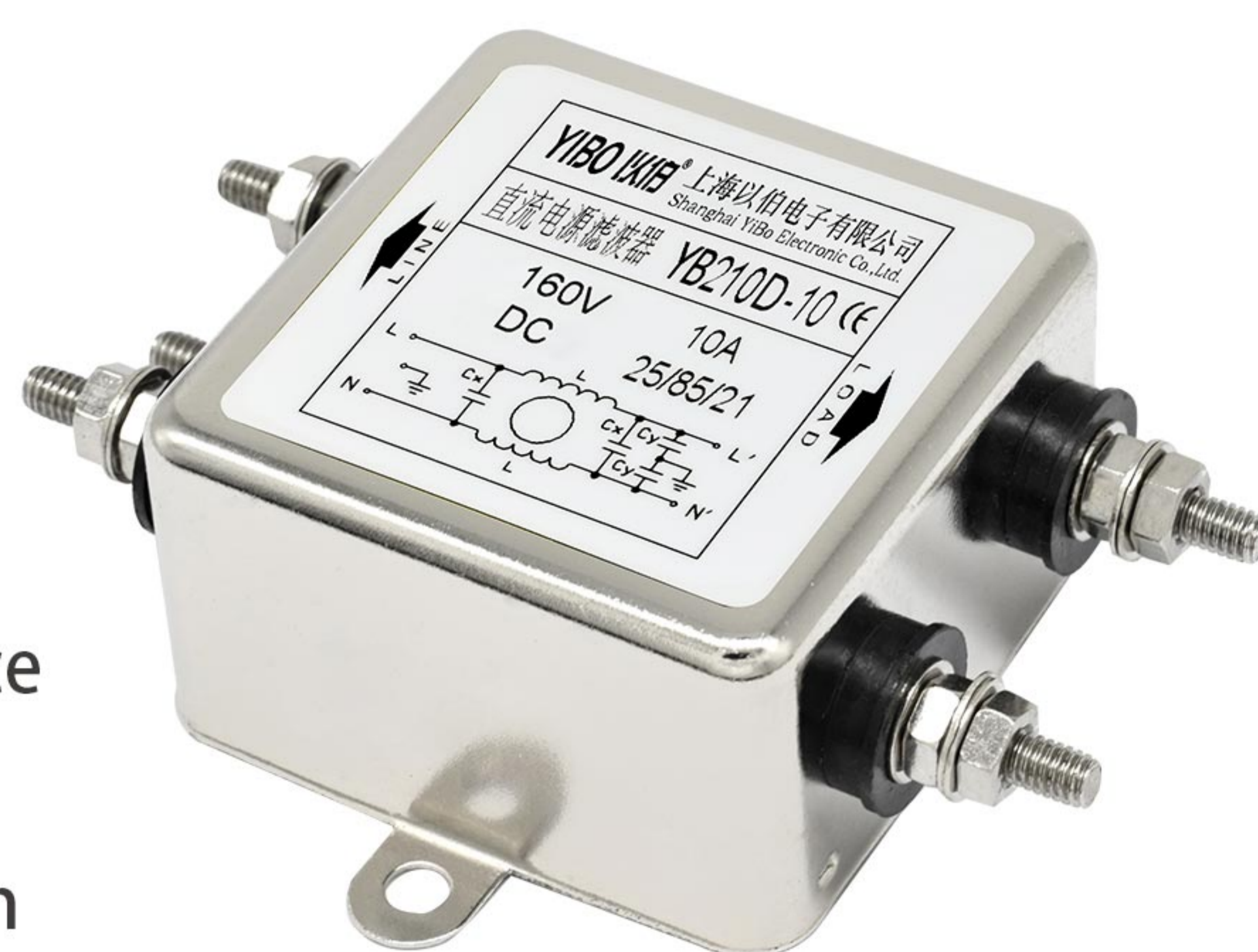


产品及应用 PRODUCTS APPLICATIONS

- ▲ 专为抑制直流电源线干扰而设计
- ▲ 低频效果优异、性价比高
- ▲ 适用于通讯设备、基站、直放站、程控交换机、复印设备、光端机、开关电源等直流供电的各种电子设备
- ▲ Designed specifically to suppress DC power line interference
- ▲ Excellent low frequency effect, high cost performance
- ▲ Suitable for various DC-powered electronic equipment such as communication

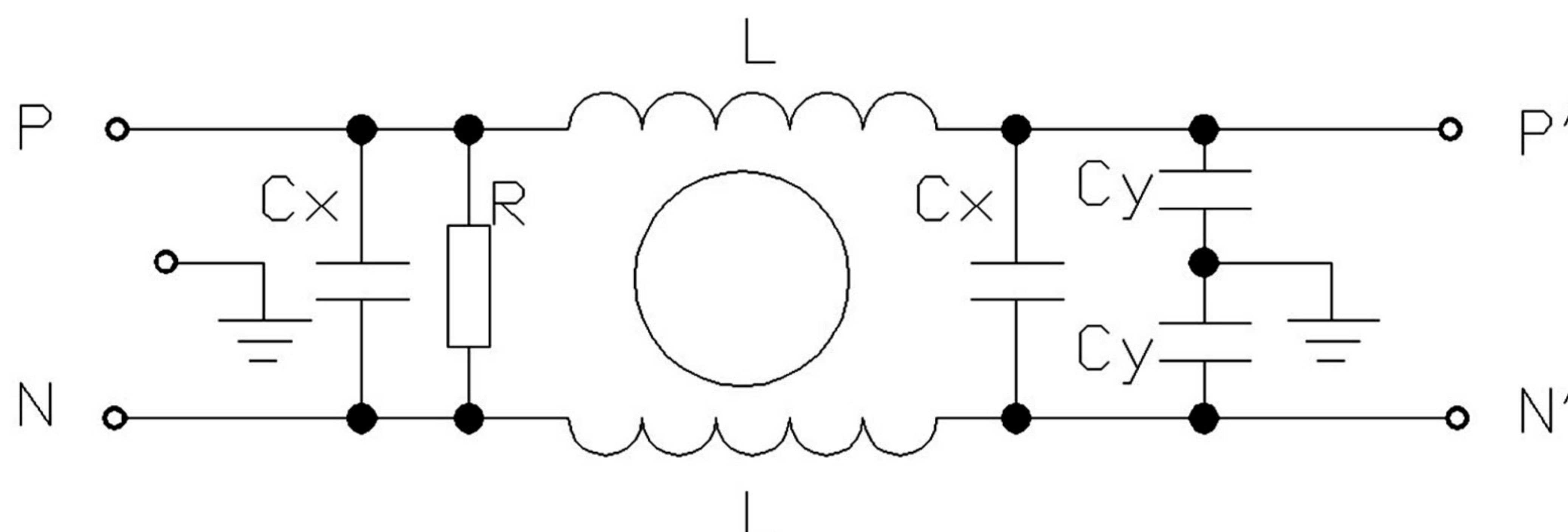


技术参数 SPECIFICATION

最高工作电压 Maximum operating voltage (VDC)	工作频率 Operating frequency Hz	试验电压 Hipot test voltage P-N(VDC) PN-E(VDC)		工作温度 Operating temperature Hz	绝缘电阻 Minimum insulation resistance
160	DC	1000	1000	-25~+85°C	>200M@500VDC

产品型号 FILTER	端接方式 Connections		额定电流 Current rating @40°C	外型尺寸 Housing	泄漏电流 Leakage current	电路参数 Components		
	引线 Wire	螺栓 Bolts				L (mH)	Cx(μF)	Cy(nF)
YB210D-1	W	---	1A	D1	<0.3mA	5.5	0.1	2.2
YB210D-3	W	---	3A	D1	<0.3mA	5.5	0.1	2.2
YB210D-6	W	---	6A	D1	<0.3mA	0.8	0.1	2.2
YB210D-10	---	M4	10A	B1/B2	<0.3mA	1.0	0.68	2.2
YB210D-20	---	M4	20A	B1/B2	<0.5mA	0.4	0.68	2.2
YB210D-30	---	M6	30A	H2	<0.5mA	0.3	1.0	4.7
YB210D-40	---	M6	40A	H5	<0.5mA	0.3	1.0	4.7
YB210D-50	---	M8	50A	E2	<1.0mA	0.25	3.3	4.7
YB210D-75	---	M8	75A	G2	<1.0mA	0.2	3.3	10
YB210D-100	---	M8	100A	G2	<1.0mA	0.18	4.7	10

电路原理图 CIRCUIT DIAGRAM



外型尺寸 HOUSING AND DIMENSIONS: (MM)

