

产品及应用 PRODUCTS APPLICATIONS

- ▲ 专为PCB板组装设计
- ▲ 安装便捷，可直接插件于PCB板上
- ▲ 体积小、结构紧凑、性价比高
- ▲ 能有效抑制线对线、线对地之间的噪声干扰
- ▲ 广泛应用于交换机、报警器、控制器、LCD、卫星电视系统等超小型设备



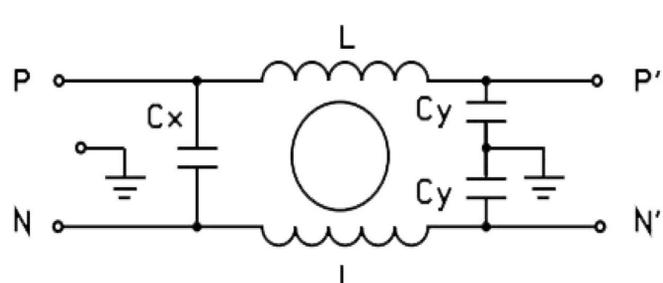
- ▲ Designed specifically for PCB assembly
- ▲ Easy to install, can be directly plugged into the PCB board
- ▲ Compact size, concise structure, and high cost performance
- ▲ Effectively suppresses noise interference between lines and between line and ground
- ▲ It is widely used in switches, alarms, controllers, LCDs, satellite TV systems and other ultra-small devices

技术参数 SPECIFICATION

最高工作电压 Maximum operating voltage (VAC)	工作频率 Operating frequency Hz	试验电压 Hipot test voltage 线-线 (VDC) 线-地 (VAC)		工作温度 Operating temperature Hz	绝缘电阻 Minimum insulation resistance
250	50/60	1500	1500	-25~+85°C	>200M@500VDC

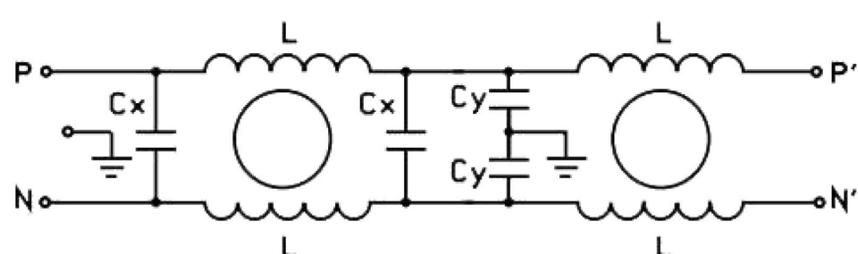
产品型号 FILTE	端接方式 Connections	额定电流 Current rating @40°C	泄漏电流 Leakage current	外型尺寸 Housing	电路参数 Components			重量 Weight (g)
					L (mH)	Cx(nF)	Cy(nF)	
YB100-1	P	1A	≤ 0.3mA	P1	5	100	2.2	30.5
YB100-3	P	3A	≤ 0.3mA	P1	2	100	2.2	30.5
YB100-6	P	6A	≤ 0.3mA	P1	1	100	2.2	30.5
YB100-10	P	10A	≤ 0.3mA	P1	0.5	100	2.2	30.5
YB110-1	P	1A	≤ 0.3mA	P2	5	100	2.2	42.5
YB110-3	P	3A	≤ 0.3mA	P2	2	100	2.2	42.5
YB110-6	P	6A	≤ 0.3mA	P2	1	100	2.2	42.5
YB110-10	P	10A	≤ 0.3mA	P2	0.5	100	2.2	42.5
YB120-1	P	1A	≤ 0.3mA	P3	10	100	2.2	63
YB120-3	P	3A	≤ 0.3mA	P3	4	100	2.2	63
YB120-6	P	6A	≤ 0.3mA	P3	2	100	2.2	63
YB120-10	P	10A	≤ 0.3mA	P3	1	100	2.2	63

电路原理图 CIRCUIT DIAGRAM



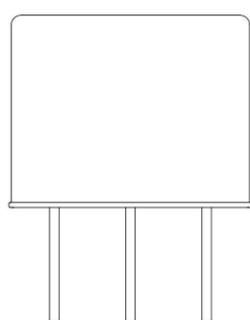
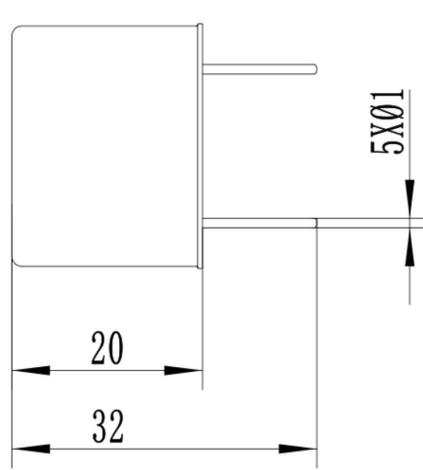
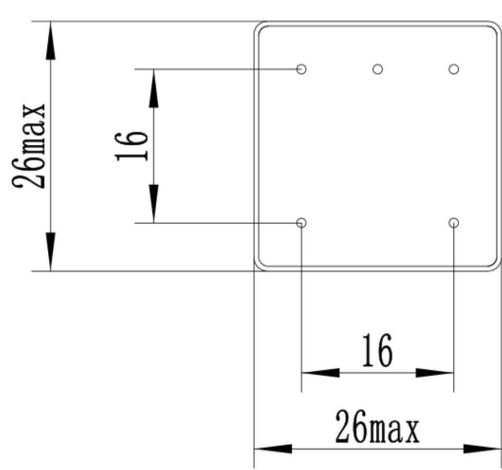
YB100单节通用型
YB100 Single Section Universal Type

YB110单节增强型
YB110 Single Enhanced

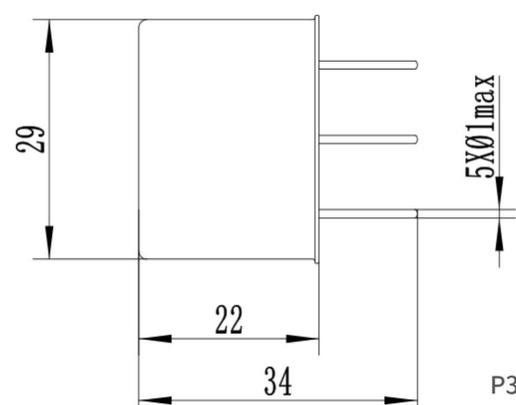
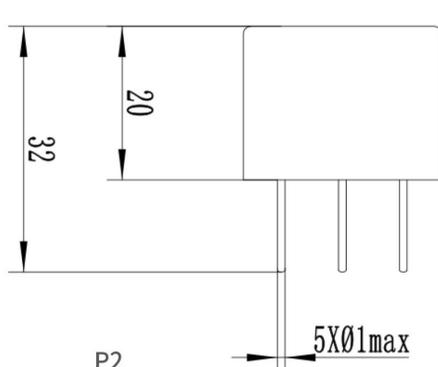
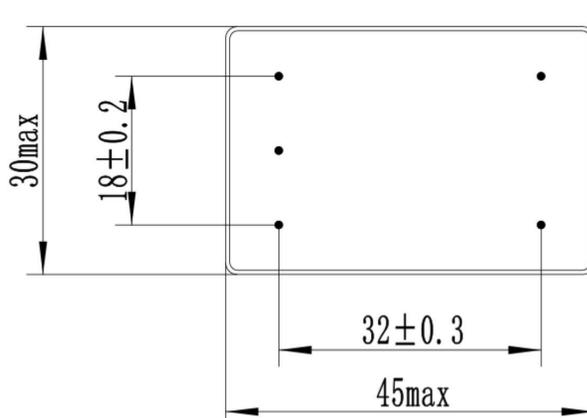
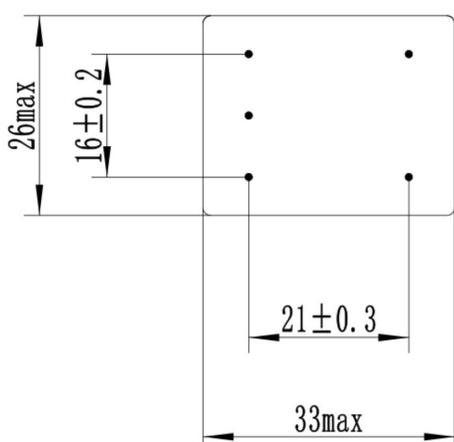


YB120双节通用型
YB120 Universal Twin Type

外型尺寸 HOUSING AND DIMENSIONS: (MM)



P1



P2

P3